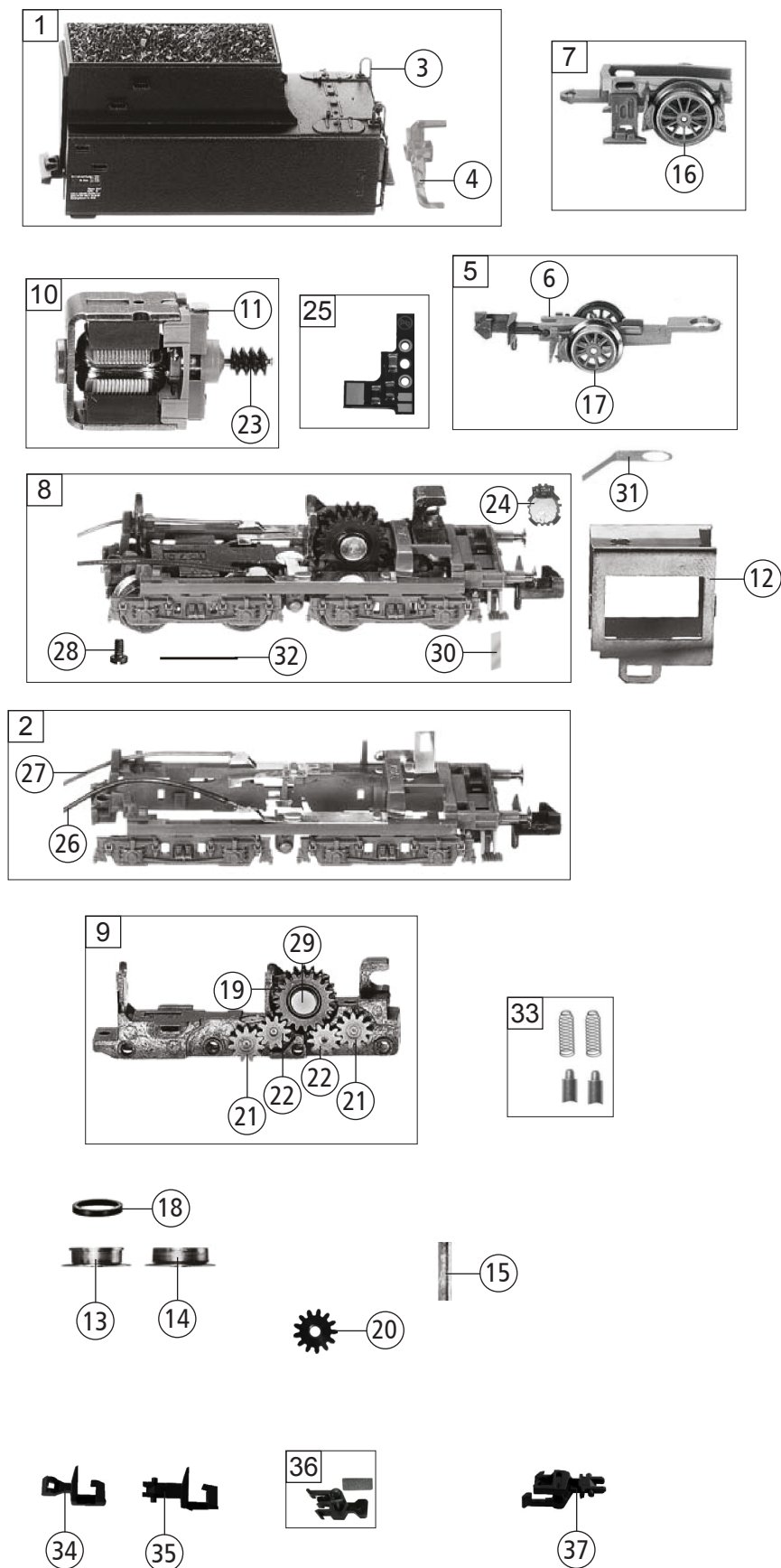


| Pos. Nr. Pos.no. | Beschreibung Description | Art.-Nr. Art.no. | Preisgruppe Price bracket |
|---------------------|----------------------------------------------------------------------------|---------------------|------------------------------|
| 712306 | DB BR 023 | = | N |
| 712376 | | = | N |
| 1 | KESSEL KPL. Boiler complete | 146051 | 29 |
| 2 | UMLAUFBLECH Running board | 146052 | 23 |
| 3 | LICHTLEITER-SATZ Light conductor set | 00137123 | 9 |
| 4 | LUFTPUMPE U.LATERNE-SATZ Air pump and lamp set | 00197123 | 9 |
| 5 | HALTESTANGE Hand rail | 00197702 | 3 |
| 6 | TOPFANTENNE Antenna | 00197801 | 3 |
| 7 | LOKFAHRGESTELL KPL. Loco chassis complete | 146054 | 39 |
| 8 | LOKFAHRGESTELL M. RADERN Chassis with gearset and wheels | 31712301 | 28 |
| 9 | KREUZKÖPFE U. KUPPELSTANGEN S. Cross head and coupling rod | 32712601 | 17 |
| 10 | DECKPLATTE UNTEN Cover plate bottom side | 00337123 | 4 |
| 11 | KUPPELLASCHE M. FEDER/SA. Coupling latch with spring | 00347123 | 9 |
| 12 | TREIBRAD KL.GEGENGEWICHT Driving wheel small counterweight | 00517053 | 8 |
| 13 | TREIBRAD GR.GEGENGEWICHT Driving wheel big counterweight | 00517054 | 8 |
| 14 | ACHSE Axle | 00527001 | 2 |
| 15 | STROMABNEHMEREINSATZ Power pick-up assembly | 146055 | 30 |
| 16 | BLECHSCHRAUBE MIT KREUZSCHLITZ Tapping screw | 00713309 | 1 |
| 17 | BOLZEN FÜR KUPPELSTANGE Bolt for coupling rod | 00730562 | 2 |
| 18 | STECKPUFFER (GEWÖLBT) Plug-in buffer (curved) | 00757011 | 2 |
| 19 | STECKPUFFER (FLACH) Plug-in buffer (flat) | 00757012 | 2 |
| 20 | PUFFERBOHLE KPL. Frontside framework complete | 146053 | 16 |
| 21 | BLATTRICHTFEDER L=9,5MM Flat straightening spring | 00764007 | 1 |
| 22 | ZUGFEDER Spring | 00767101 | 4 |
| 23 | ERS. GLUEHLAMPE KLAR M.STECKFA Replacement bulb, clear,w.plug-in socket | 00006535 | 8 |
| 24 | Glocke Bell | 00197502 | 4 |
| Sound | | | |
| 25 | LAUTSPRECHERAUFNAHME Loudspeaker reception | 144698 | 4 |
| 26 | SOUNDDECODER Sound decoder | 145036 | 40 |
| 27 | UMLAUFBLECH Running board | 146059 | 17 |
| 28 | LOKFAHRGESTELL Loco chassis | 146060 | 39 |
| 29 | LAUTSPRECHER Loudspeaker | 68701700 | 16 |
| 30 | Leiterplatte o. Stift PCB | 145039 | 8 |

Änderungen in Konstruktion und Ausführung vorbehalten
We reserve the right to change the construction and specification



| Pos. Nr. Pos.no. | Beschreibung Description | Art.-Nr. Art.no. | Preisgruppe Price bracket |
|---------------------|-------------------------------------------------------------------------|---------------------|------------------------------|
| 712306 | DB BR 023 | = | N |
| 712376 | | = | N |
| 1 | TENDERGEHÄUSE KPL. Tender body complete | 146058 | 25 |
| 2 | TENDERRAHMEN KPL. Tender framework complete | 146057 | 20 |
| 3 | LEITER FÜR TENDER Ladder for tender | 00227123 | 11 |
| 4 | LICHTLEITER FÜR TENDER Light conductor for tender | 00237123 | 5 |
| 5 | VORLAUFGESTELL KPL. Carrying wheels w. pressure spring set | 00377123 | 15 |
| 6 | ADAPTER Adapter | 00387002 | 3 |
| 7 | NACHLAUFGESTELL KPL. Set of carrying wheels (rear) | 00397123 | 14 |
| 8 | TENDERFAHRGESTELL KPL. Tender chassis complete | 146056 | 34 |
| 9 | TENDERFAHRGESTELL MIT ZAHNRAD Tender chassis with gear wheel | 04171231 | 18 |
| 10 | MOTOR O. SCHW. O. MASSEKONTAKT Motor w/o flywheel w/o ground contact | 50712303 | 28 |
| 11 | KOHLLENHALTER Brush holder | 00507801 | 1 |
| 12 | MOTORHALTEBÜGEL SCHW. VERN. Motor retainer clip | 00507902 | 5 |
| 13 | TENDERRAD OHNE ZAHNRAD MIT NUT Tender wheel w/o gear w. groove | 00517003 | 6 |
| 14 | TENDERRAD OHNE ZAHNRAD O. NUT Tender wheel w/o gear w/o groove | 00517013 | 7 |
| 15 | ACHSE Axle | 00527003 | 1 |
| 16 | NACHLAUFFRADSATZ Carrying wheelset (rear) | 00537020 | 12 |
| 17 | VORLAUFFRADSATZ Carrying wheelset | 00537046 | 11 |
| 18 | HAFTREIFEN Traction tyre | 00547001 | 1 |
| 19 | ZAHNRAD Z:20/20 Gear wheel Z:20/20 | 00567107 | 6 |
| 20 | ZAHNRAD Z:13 Gear wheel Z:13 | 00567123 | 6 |
| 21 | ZAHNRAD Gear wheel | 00567133 | 3 |
| 22 | ZAHNRAD Gear wheel | 00567134 | 2 |
| 23 | SCHNECKE D = 4mm L = 5mm Worm gear | 00567601 | 7 |
| 24 | LEITERPLATTE MIT DIODE PCB with diode | 64402100 | 2 |
| 25 | SCHALTPLATTE TENDER Switch plate tender | 65712500 | 19 |
| 26 | SCHALLITZE 350 mm LANG Connecting cable 350mm long | 00667000 | 9 |
| 27 | SCHALLITZE 350 mm LANG Connecting cable 350mm long | 00667001 | 9 |
| 28 | SCHRAUBE Screw | 00700205 | 1 |
| 29 | BOLZEN FÜR ZAHNRAD Bolt for gear wheel | 00730504 | 2 |
| 30 | BLATTRICHTFEDER FÜR KUPPLUNG Flat straightening spring for coupling | 00767006 | 1 |
| 31 | ANDRUCKFEDER FÜR VORLAUF Pressure spring for carrying wheelset (fr) | 00767007 | 1 |
| 32 | RICHTFEDER Spring | 00767018 | 1 |
| 33 | ERSATZ-SCHLEIFKOHLEN Carbon brushes set | 6518 | --- |
| 34 | STANDARD-KUPPLUNG Standard coupling | 9521 | --- |
| 35 | STANDARD-STECKKUPPLUNG Clip-in exchange coupling | 9525 | --- |
| 36 | PROFI-KUPPLUNG Profi coupling | 9541 | --- |
| 37 | PROFI STECKKUPPLUNG Profi clip-in exchange coupling | 9545 | --- |